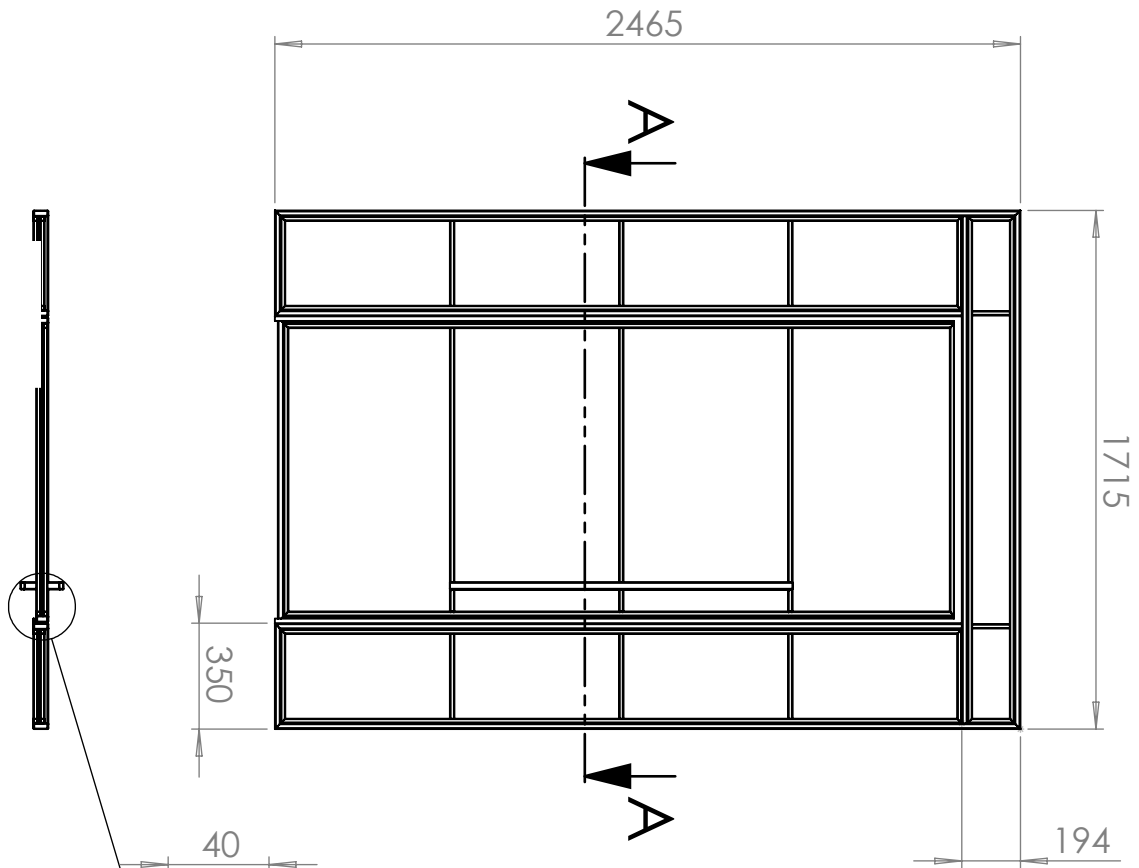
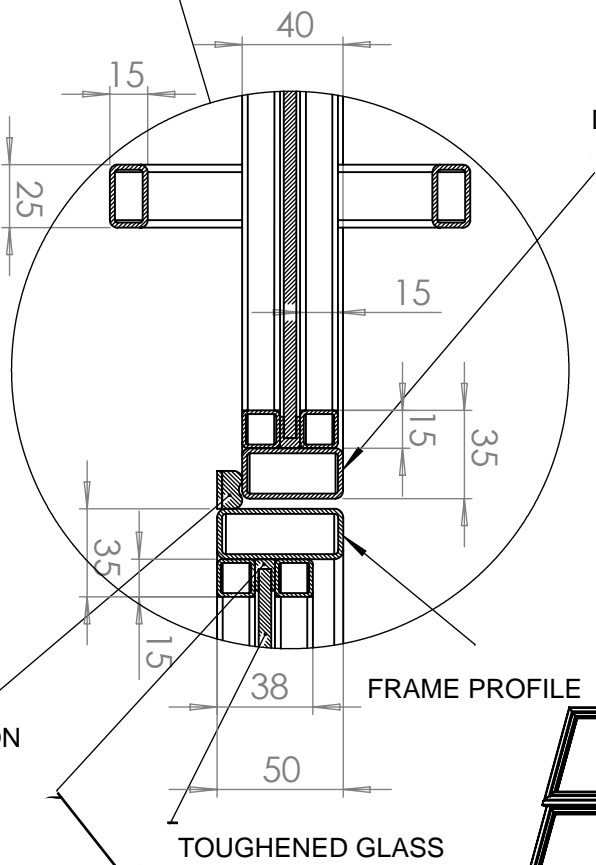


CROSS - SECTION AA



DETAIL B
SCALE 1:3



EDGE SEAL ON LOCKING REGULATOR

EDGE SEAL ON GLASS EDGE

