

Information leaflet

Information necessary for placing an order to be obtained from a client:

size of the opening where the product is to be installed

- with additional tolerance for flexible installation of the product

b) type of the wall

a glass wall without door

a wall with door: sliding door, opening door, or with pivot brackets

a shower wall, (made of stainless steel)

c) Information regarding construction of a wall (bricks, board, etc.)

-information whether there is any installation in the wall

-in case of sliding door their main weight hangs on a runner which can be installed only on certain type of walls or ceilings

-in case of too little carrying capacity it is possible to design suitable sub construction

d) information regarding a shape and division (split) of the installed product

-quantity and size of door

-location of door with respect to other construction elements

-division of astral bars horizontally and vertically, to be confirmed with client according to their preference

e) Colour of the product to be installed

-it is safest to provide choice from the RAL colour variety

-powder coating has different finishes: mat, half-mat, gloss

special effects of powder coating can be used: small or large texture or "crocodile skin" effect

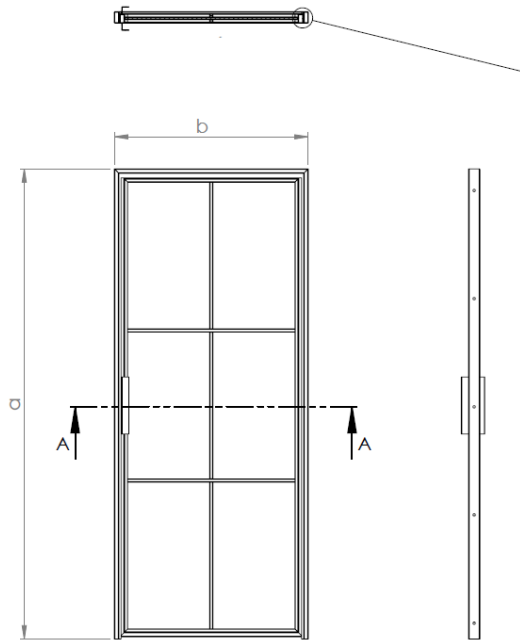
f) in case of large constructions or those located higher it is important to check possibility of moving it into a desired location

g) type of glass used (float, optiwhite, mat, opaque) - most common is glass type: float which is clear

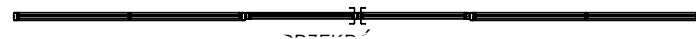
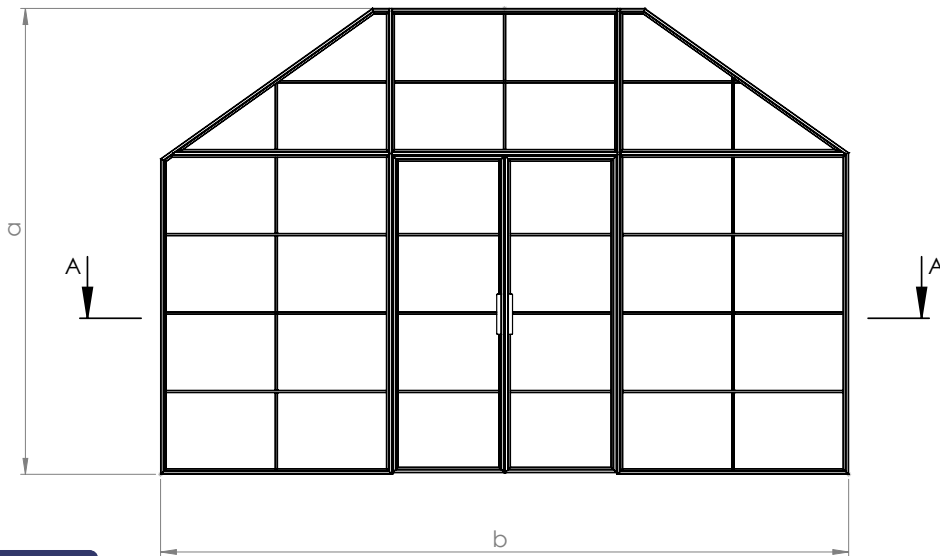
2. Types of products

There is a great discretion in choice of type of product to be made, we make standard simple opening door as well as complicated constructions consisting of multiple frames:

CROSS-SECTION AA

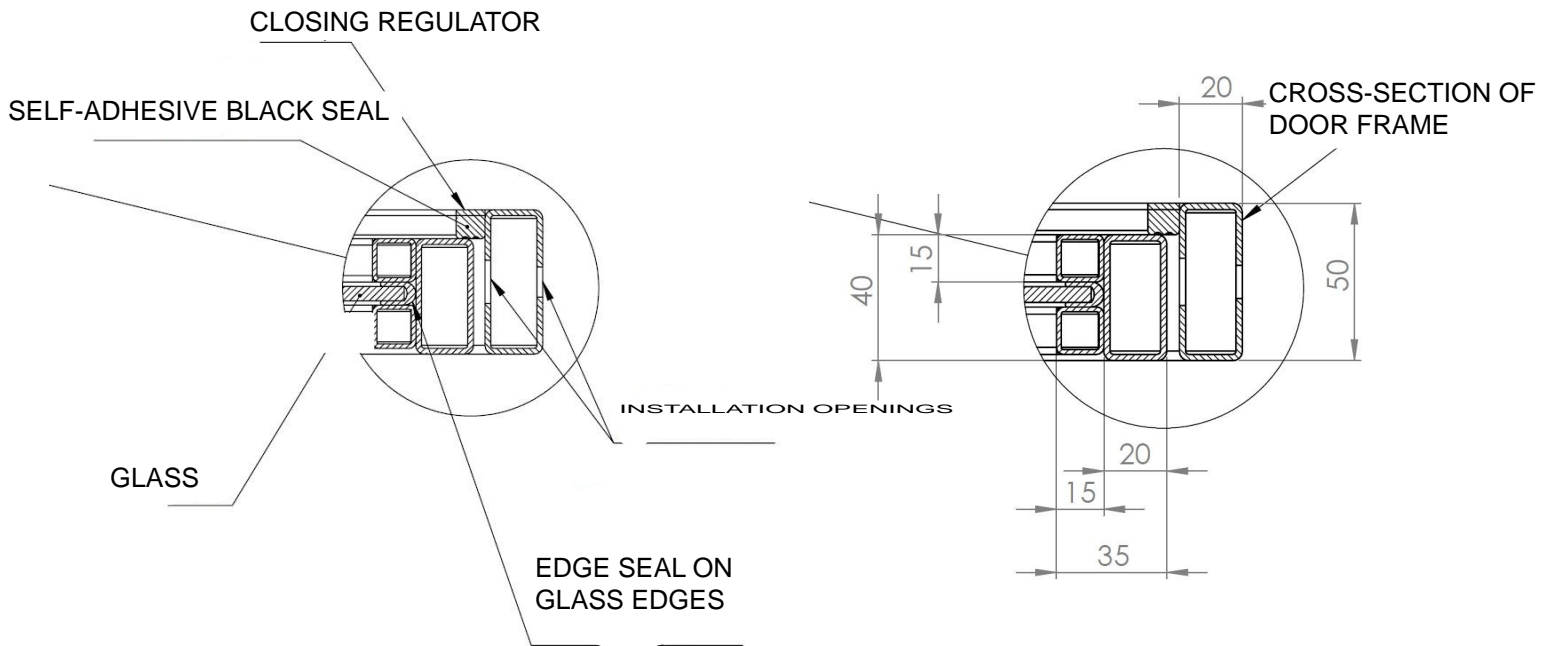


STANDARD DOOR
ONE WING



CROSS-SECTION AA

3. CONSTRUCTION DETAILS



4. TYPES OF HANDLES:

